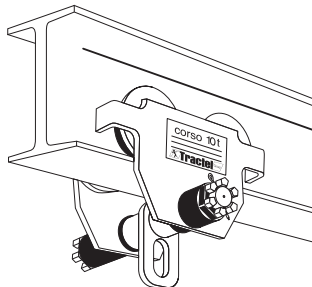
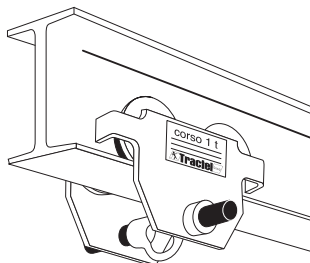


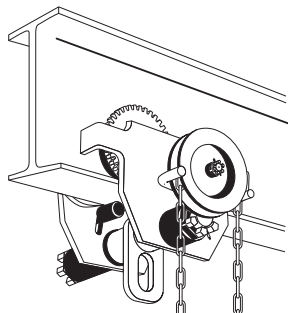
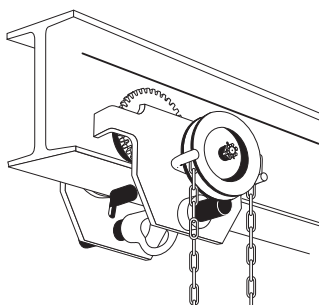
corso

chariots porte palan
overhead travelling trolleys
bovenloopkatten
laufkatze

2006/42/CE



Chariots à translation par poussée/ Push trolleys/ Duwloopkatten/ Rollkatzen :
0,25 t, 0,5 t, 1 t, 2 t, 3 t, 5 t, 10 t



Chariots à translation par chaîne/ Geared trolleys with chain-operated travel/
Handmechanische loopkatten/ Haspelkatzen :
1 t, 2 t, 3 t, 5 t, 10 t, 20 t

FR

Instructions d'emploi et
d'entretien
Traduction de notice originale

NL

Handleiding voor gebruik en
onderhoud
Vertaling van de oorspronkelijke
handleiding

GB

Operation and maintenance
manual
Original manual

DE

Gebrauchs- und Wartungsanleitung
Übersetzung der Originalanleitung

Français

English

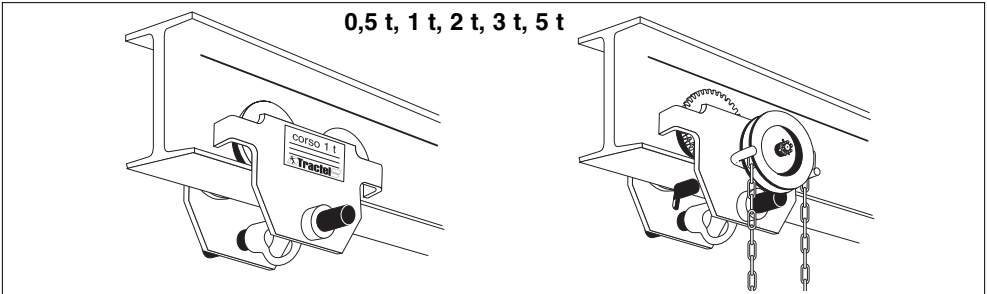
Nederlands

Deutsch

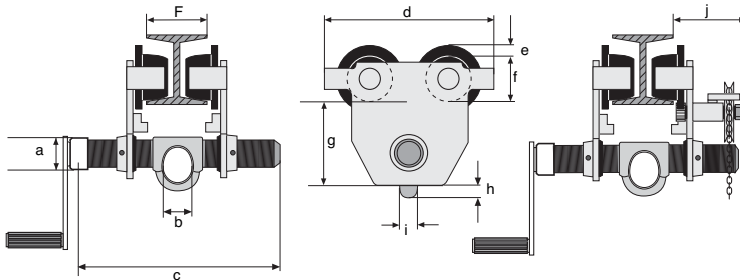


Spécifications :
Technische gegevens:

Specifications:
Technische Daten:



1. Flasques/ Trolley side plates/ Flenzen/ Seitenschilder
2. Traverse fileté/ Threaded bar/ Draadtraverse/ Gewinde-Querträger
3. Vis de sécurité et d'immobilisation de la traverse/ Securing screw for preventing the bar from moving/ Veiligheids- en blokkeerschroef van de traverse/ Querträger-Sicherungs- und -Feststellschrauben
4. Caillet de suspension du palan/ Anchor point for hoist/ Oog voor het ophangen van de takel/ Aufhängeöse des Flaschenzugs
5. Butées d'arrêt faisant office d'anti-dérailleurs/ End stops acting as antiderailing devices/ Aanslagen dienst doende als anti-dérailleurs/ Als Entgleisungsschutz dienende Anschläge
7. Volant de manœuvre/ Operating wheel/ Bedieningswiel/ Handrad
8. Chaîne de manœuvre/ Operating chain/ Bedieningsketting/ Handkette
9. Système anti-basculateurs soudé sur flasque/ Anti-tilt system welded onto side plate/ Systeem anti-kantelinrichting op de flens gelast/ An den Seitenschildern festgeschweißte Antikippvorrichtung



W.L.L./ C.M.U./ Traagvermogen/Traagfähigkeit	Dimensions/ Dimensions/Afmetingen/Abmessungen											Rayon de courbure mini/ Mini. Curve radius/ Kleinster Kurvenradius	Effort mini théorique à la chaîne de manœuvre/Mini theoretical strength of hand chain/Min. theoretische sterkte van handketting/ Min. theoretische Kraft an der Handkette	Poids/Weight/Gewicht/ Gewicht	
	mm													mm	N
t	a	b	c	d	e	f	g	h	i	j	F				
0,25	22	22	220	175	11	50	74	7	12	-	45 - 152	650	-	3,5	-
0,5	27	25	324	225	15	62	88	16	16	-	50 - 220 220 - 300	900	55	8,5	-
1	30	30	334	252	15	62	103	17	17	100	58 - 220 220 - 300	1000	55	10,5	19
2	38	40	342	300	18	80	127	18	21	120	66 - 220 220 - 300	1200	100	18	22,5
3	45	48	358	360	15	97	177	18	21	135	74 - 220 220 - 300	1300	75	32	37,5
5	52	58	372	400	20	110	192	23	21	145	90 - 220 220 - 300	1400	120	48,5	55

Pour les autres capacités, voir à la fin de la notice/ For the other capacity, see the end of manual/ Raadpleeg het einde van de handleiding voor andere capaciteiten/ Für die anderen Tragfähigkeiten, siehe am Ende der Anleitung.

CONTENTS

General warning
I - Warning
II - Guarantee
III - General instructions
IV - Technical data

V - Maintenance and inspection
VI - Troubleshooting
VII - Health and safety at work
VIII - Servicing and lubrication

GENERAL WARNING

1. Before installing and using this unit, to ensure safe, efficient use of the unit, be sure you have read and fully understood the information and instructions given in this manual. A copy of this manual should be made available to every operator. Extra copies of this manual will be supplied on request.
2. Do not use the unit if any of the plates mounted on the unit is missing or if any of the information on the plates, as indicated at the end of the manual, is no longer legible. Identical plates will be supplied on request; these must be secured on the unit before it can be used again.
3. Make sure that all persons operating this unit know perfectly how to use it in a safe way, in observance of all safety at work regulations. This manual must be made available to all users.
4. This unit must only be used in compliance with all applicable safety regulations and standards concerning installation, use, maintenance and inspection of equipment lifting devices.
5. For all professional applications, the unit must be placed under the responsibility of a person who is entirely familiar with the applicable regulations and who has the authority to ensure the applicable regulations are applied if this person is not the operator.
6. Any person using the unit for the first time must first verify that he has fully understood all the safety and correct operation requirements involved in use of the unit. The first-time operator must check, under risk-free conditions, before applying the load and over a limited lifting height, that he has fully understood how to safely and efficiently use the unit.
7. The unit must only be installed and set into service under conditions ensuring the installer's safety in compliance with the regulations applicable to its category.
8. Each time, before using the unit, inspect the unit for any visible damage, as well as the accessories used with the unit.
9. Tractel® declines any responsibility for use of this unit in a setup configuration not described in this manual.
10. The unit must be suspended vertically to an anchoring point and a structure having sufficient strength to withstand the maximum utilization load indicated in this manual. If several units are used, the strength of the structure must be compatible with the number of lifting units used and with the maximum utilization load of the units.
11. The lifting chain is an integral part of the unit and must never be disassembled, repaired or modified without Tractel® authorization. Tractel® declines any responsibility for the consequences resulting from disassembly or changes to the chain without Tractel® authorization.
12. The chain must be in good condition to ensure safe, correct operation of the unit. The condition of the chain must be checked each time before use as indicated in the "chain" section. Any unit with a chain showing signs of wear should be removed from use and returned to Tractel® for inspection and repair if necessary.
13. Tractel® declines any responsibility for the consequences of any changes made to the unit or removal of parts forming part of the unit.
14. The unit is designed for manual operation and must never be motorized.
15. When using the hoist, the user must ensure that the chain remains constantly tensioned by the load. The user must be particularly careful to ensure that the load does not become temporarily snagged by an obstacle when coming down as this could result in rupture of the chain when the load is released from its obstacle.
16. The unit must never be used for lifting people.
17. Tractel® declines any responsibility for the consequences resulting from disassembly of the unit in any way not described in this manual or repairs performed without Tractel® authorization, especially as concerns replacement of original parts by parts of another manufacturer.
18. The unit must never be used for any operations other than those described in this manual. The unit must never be used to handle any loads exceeding the maximum utilization load indicated on the unit. It must never be used in explosive atmospheres.
19. Never park or circulate under a load. Access to the area under the load should be indicated by signs and prohibited.
20. When a load is to be lifted by several units, a technical study must first be carried out by a qualified technician before installation of the units. The installation must then be carried out in compliance with the study, in particular to ensure an even distribution of the load under appropriate conditions. Tractel® declines any responsibility for the consequences resulting from use of a Tractel® device in combination with other lifting devices of another manufacturer.
21. To ensure safe use of the unit, it should be visually inspected and serviced regularly. The unit must be periodically inspected by a Tractel®-approved repair agent as indicated in this manual.
22. When the unit is not being used, it should be stored in a location inaccessible to persons not authorized to use the unit.
23. If the unit is to be definitively removed from use, make sure the unit is discarded in a way which will prevent any possible use of the unit. All environment protection regulations must be observed.

IMPORTANT : For professional applications, in particular if the unit is to be operated by an employee, make sure that you are in compliance with all safety at work regulations governing installation, maintenance and use of the equipment, and more specifically as concerns the required inspections : verification on commissioning by user, periodic inspections, and inspections subsequent to disassembly or repair operations.

I - WARNING

corso trolleys must not, under any circumstances, be used for lifting personnel. Accordingly, no person should stand on or in a structure which is suspended from a corso trolley.

Please do not hesitate to contact us for equipment for lifting personnel and for any special applications.

corso trolleys must not be used in explosive atmospheres.

Warnings against hazardous operations

The operation of corso trolleys in accordance with the instructions in this manual is a guarantee of safety, nevertheless, it is useful to draw the attention of users to the following warning :

- Do not mount the corso trolley on sloping beams or beams fitted with a rack rail.
- Never attempt to modify the corso trolley, and in particular do not add a motor mechanism without the prior written consent of the manufacturer.
- Never mount the corso trolley on an unsuitable support as this may damage the components of the trolley.
- Never repair the corso trolley with spare parts which are not TRACTEL® original spare parts .
- Never allow an unqualified person or a person who has not read these instructions to use the corso trolley.
- Never lift or attempt to lift a load heavier than the working load limit indicated on the trolley (It should be noted that accidental impacts to the suspended load or the suspended load bumping against fixed structures in the working area may cause overloads).
- Never use the corso trolley to pull or release a load, or to pull a load laterally.
- Never touch or alter the components while the corso trolley is in operation.
- Never intentionally cause the load to swing.

- Never use the corso trolley under operating conditions or in an environment which do not comply with its specification.
- Never move and remove the end stops fitted at the end of the beam.
- Never use the corso trolley which is in poor condition(worn or distorted).
- Never are weld with the corso trolley in the earth loop.
- Never suspend loads from the hand chain.
- Never remove of the safety devices from the corso trolley or use the trolley without these devices.
- Never fix the corso trolley on the beam by any means other than those described in these instructions.
- Never suspend loads from the corso trolley other than by the anchor point provided.
- Never mount the trolley on a beam without first checking the strength of the beam.
- Never walk or stand under a suspended load or cause the load to pass over persons.
- Never move a corso push trolley other than by pushing or pulling on the load.
- Never move a corso chain-operated trolley other than by using the hand chain provided.

IT IS EXTREMELY DANGEROUS AND CONTRARY TO ALL PRACTICES, DIRECTIVES AND REGULATIONS TO INTENTIONALLY OVERLOAD A LIFTING DEVICE. THE MANUFACTURER CANNOT BE HELD RESPONSIBLE IN THE EVENT OF ANY DAMAGE OR INJURY.

II - GUARANTEE

Our corso travelling trolleys are guaranteed for a period of 12 months from the date of delivery from TRACTEL®.

If dispatch from our factory is delayed for a reason which is not the responsibility of the vendor, the guarantee period may only be extended by a maximum of 3 months.

TRACTEL® undertakes to correct, free of charge, any design, manufacturing or material defect recognised by our company after examination by our technical department, either by repair or replacement (at Tractel®'s discretion) of the product acknowledged as being defective.

NO AUTOMATIC RETURN IS PERMITTED.

The guarantee does not cover damage resulting from incorrect use, inadequate maintenance or handling accidents. It does not cover normal wear and tear, ageing, the effects of oxidation or variations of voltage applied to electrical components. It does not apply to the paint or surface coatings.

The guarantee only applies to original TRACTEL® parts, including the chains, and excludes all other components.

Repairs under guarantee are automatically performed in the workshops of the manufacturer or his approved representative. This guarantee commitment only applies to the cost of the parts replaced and the labour used. Any travelling or accommodation expenses incurred by TRACTEL® personnel or those of TRACTEL's approved representative at the user's site, and the costs of transporting the item to and from the manufacturer's factory or that of his approved representative, remain the responsibility of the holder of the guarantee.

Parts which have been replaced become the property of the manufacturer and must be returned to him.

Any repair or modification work performed by the purchaser, the user or a third party not approved by TRACTEL®, automatically invalidates the guarantee.

Repairs and replacements carried out in accordance with the guarantee will not extend the initial guarantee period. This guarantee excludes any work other than that defined above.

The performance of this guarantee excludes any acknowledgement of liability for damage or loss of any type.

The validity of our guarantee remains

subject to the presentation of the guarantee certificate, duly signed and dated by the manufacturer, with the device in question. If necessary or in the absence of the guarantee certificate, it is subject to the purchase invoice being submitted to the TRACTEL® network.

III - GENERAL INSTRUCTIONS

1) Receipt of the equipment

corso travelling trolleys are supplied in cardboard packaging with internal packing. When the equipment is received, carry out a visual inspection to check that the packaging is in good condition.

If there is any problem, express the usual reservations to the carrier.

After unpacking, check that the trolley corresponds to your order and that the delivery includes :

a) For corso trolleys (except 10 and 20 t models)

- Two identical side plates, each fitted with two running wheels.
- One bar (with dual reverse thread) for fixing the side plates and adjusting the spacing.
- One handle for adjusting the distance between the side plates of the trolley.
- Two securing screws on the fixing bar.
- These operating and maintenance instructions.
- The CE declaration of conformity.

b) For trolleys 10 and 20 t models

- Two sides plate fitted with supporting wheels.
- One bar for fixing the side plates and adjusting the spacing.
- Two securing screws on the fixing bar.
- These operating and maintenance instructions.
- The CE declaration of conformity.

2) Installation

The lifetime of a trolley depends on how it is installed. It is essential to read these instructions carefully so that you install, use and maintain your device in a clean condition. Any use contrary to our

instructions is dangerous and will release us from our liability as manufacturer.

Do not use the device without having read these instructions in full and understood them. These instructions must be kept close to the device at all times, available to the operator and the person responsible for maintenance.

Follow the safety rules and ensure that they are followed by others.

2.1 Assembling and anchoring the device

a) Trolley 250 to 5000 kg

IMPORTANT :

Before a corso trolley is mounted on a traversing beam, the strength of the materials used in the beam must be calculated by a qualified person.

If the corso trolley is to be fitted in a location which is dangerous for the operator, the safety precautions laid down in the labour regulations must be implemented to remove all risks not covered in this operation.

corso trolleys (up to 2 t) are supplied in kit form as standard. Before they are mounted on the traversing beam the subassemblies must be put together as follows :

- Hold the two side plates of the trolley either side of the fixing bar, checking that the screw threads on the fixing bar/side plates match.
- Rotate the fixing bar continuously to insert it on both sides into the thread provided in the side plates.
- When the threaded fixing bar has been screwed far enough through the side plates, attach the adjustment handle at the end of the fixing bar (on the side with the double drill hole).
- Turn the handle until the distance between the running wheels is adjusted to match the width of the traversing beam.

CAUTION :

The play between the flange of the running wheel and the edge of the lower flange of the traversing beam must not

exceed 4 mm for load capacities of up to 2 t, and 5 mm for heavier loads.

- When the adjustment has been correctly made, the oval part of the anchor point must be turned to point downwards so that it can subsequently take the suspension hook of the hoist.
- Position the copper washer in each hole to protect the thread and tighten the two securing screws on the fixing bar.
- Remove the adjustment handle.

Procedure for mounting the trolley on the traversing beam

When the corso trolley has been assembled as described above, it can then be fitted onto either end of the traversing beam.

Do not forget in this case to attach or replace the end stop on the traversing beam after fitting the trolley.

If the configuration of the traversing beam does not allow the trolley to be fitted at the end, the following procedure must be used :

- Hold the pre-assembled trolley assembly beneath the beam, keeping a wide enough gap between the running wheels to enable the trolley to be positioned on the beam.
- Place two running wheels on one of the side plates in contact with the lower flange of the traversing beam.
- Place the two wheels on the opposite side plate in contact with the traversing beam and turn the adjustment handle to bring the two side plates closer together and bring the four running wheels to rest on the lower flange of the beam.
- Adjust the gap between the wheels as previously indicated.
- Tighten the securing screws on the fixing rod to prevent the assembly from moving
- Remove the adjustment handle.

For a chain-operated corso trolley :

- Check that the hand chain is correctly positioned on the operating wheel

(welding on the links facing outwards in relation to the axis of the operating wheel).

- Check that the operating chain is not twisted.

After positioning the corso trolley on the beam, it is essential to check, WITH NO LOAD on the trolley, that it moves smoothly and freely along the whole length of the beam.

b) Trolleys 10 et 20 t

IMPORTANT :

Before a corso trolley is mounted on a traversing beam, the strength of the materials used in the beam must be calculated by a qualified person.

If the corso trolley is to be fitted in a location which is dangerous for the operator, the safety precautions laid down in the labour regulations must be implemented to remove all risks not covered in this operation.

Cross bar with adjusting washers and locking nuts to fit a large range of beam size:

- W.L.L. 10 t : beam width adjustment from 125 to 320 mm.
- W.L.L. 20 t : beam width adjustment from 136 to 320 mm.

corso push trolley.

1. Dismantle the trolley by removing the safety pins and the fixing nuts at each end of the fixing bar.
2. Separate the two side plates taking care to ensure that the spacer washers and the anchor point are kept together.
3. Position a side plate on each side of the beam and pass the fixing bar through the housing of each side plate with the anchor point in the middle.
4. Beginning with the thickest, the spacer washers should be fitted onto the fixing bar. Remove the side plates in turn and replace them with appropriate spacer washers to achieve the best adjustment

on the beam, so that the load bearing point is in the centre of the contact area. The person assembling the trolley should take great care to ensure that the sides of the wheels do not touch the central section of the beam.

5. Distribute the remaining spacer washers equally on the fixing bar on the outside of each side plate and then fit the fixing nuts.
6. Tighten the fixing nuts and fit the safety pins.
7. Push the trolley along the beam without any load. Traversing should be smooth.

corso geared trolley with chain-operated travel.

1. Dismantle the trolley by removing the safety pins and the fixing nuts at each end of the fixing bar.
2. Separate the two side plates taking care to ensure that the spacer washers and anchor point are kept together.
3. Position a side plate on each side of the beam and ensure that the operating wheel and hand chain are on the required side. Pass the fixing bar through the housing of each side plate with the anchor point in the middle.
4. Beginning with the thickest, the spacer washers should be fitted onto the fixing bar. remove the side plates in turn and replace them with appropriate spacer washers to achieve the best adjustment on the beam, so that the load bearing point is in the centre of the contact area. The person assembling the trolley should take great care to ensure that the sides of the wheels do not touch the central section of the beam.
5. Fit the remaining spacer washers on the fixing bar on the outside of the side plate opposite the operating wheel and hand chain. Fit the fixing nuts.
6. Tighten the fixing nuts and fit the safety pins.
7. Using the hand chain, traverse the trolley along the beam without any load. traversing should be smooth.
8. Adjust the anti-tilt bar as near as possible

to the under surface of the beam, but not touching. Check that this bar does not touch any point of the beam along which the trolley is to travel.

After positioning the corso trolley on the beam, it is essential to check, WITH NO LOAD on the trolley, that it moves smoothly and freely along the whole length of the beam.

2.2 Anchoring the load

The hoist, winch or any other load suitable for use with the corso trolley, must be fixed to the trolley using the anchor point provided.

Loads must not, under any circumstances, be attached to any other part of the trolley.

2.3 Preliminary checks

- Check that all the parts of the trolley are correctly assembled and tightened.
- Check that the trolley moves smoothly and freely along the whole length of the traversing beam.
- Check that the load capacity of the trolley is greater than or equal to the maximum load expected during operation.
- Check that the profile of the traversing beam used is sufficient to safely take a force equal to the working load limit.
- Check that the operating chain is correctly mounted and not twisted.

2.4 Control of movements

corso trolleys are moved along the traversing beam on the four running wheels which are mounted on ball bearings.

Push-operated corso trolleys are traversed by carefully pushing the load (which must have been lifted off the ground).

The load should be moved smoothly without any sudden movements.

Chain-operated corso trolleys are traversed using the hand chain provided. Traversing should be carried out smoothly and without any sudden movements, with the load lifted off the ground.

Never drag a load suspended from a trolley along the ground.

The following precautions should be taken when performing the various movements of the trolley :

- Check that the load is off the ground.
- Never allow the load to swing.
- When moving a chain-operated trolley, check that the hand chain cannot get caught in a fixed obstacle.
- Avoid the corso trolley systematically hitting the end stops fitted on the traversing beam.
- Check that any curved radius of the beam is compatible with the specification of the trolley used.

IV - TECHNICAL DATA

1) Operating principle

The push-operated and chain-operated corso traversing trolley is a lifting device. It is designed for suspending a hoist or winch and moving it along an I or H traversing beam.

The trolley is traversed using four running wheels mounted on ball bearings.

2) Main subassemblies

See page 2 and 33.

3) Name plate

corso trolleys should only be used with a maximum load equal to the nominal load shown on the name plate. The lifetime of the corso trolley will depend on its regular maintenance in accordance with the directions and recommendations given in these instructions.

V - MAINTENANCE AND INSPECTION

Servicing of the corso trolley consists of monitoring that it is in good condition, cleaning it and having it inspected periodically (at least once a year) by a repair engineer approved by TRACTEL®.

Any damage to the corso trolley, in particular on the running wheels and the

side plates, must be repaired by an approved engineer before it is used again. It is also essential to regularly check the condition of the traversing beam and if necessary clean it to prevent the accumulation of grease or dust which could prevent the trolley from moving correctly.

VI - TROUBLESHOOTING

If the trolley does not move smoothly and freely along the traversing beam :

- Check that there is no obstacle on the traversing beam.
- Check that the running wheels run smoothly and correctly.
- Check that the running wheel pins are not damaged.
- Check that the spacing of the trolley is correctly adjusted in relation to the width of the traversing beam.
- Check that the curved radius of the traversing beam is not smaller than the

technical capacities of the trolley used.

- Check that any curve is not distorted or twisted at any point.
- Check the good surface condition of the lower flange of the beam.

VII - HEALTH AND SAFETY AT WORK

It is the responsibility of every company to ensure that its employees have been fully and properly trained in the safe operation of the equipment.

Before using the equipment, check that all the safety devices are in place and operate correctly (section VI-5).

It is recommended that corso trolleys must have an initial inspection on first installation and subsequent periodic inspection. Check local regulations and requirements.

VIII - SERVICING AND LUBRICATION

Checks	Frequency	Person
Check general condition of trolley	Daily	Operator
Visual inspection of side plates and wheels (cracks, distortion)	Quarterly	Operator
Visual check of running wheels for wear and condition of hand chain	Six monthly	Operator
Check condition of traversing beam	Six monthly	Operator
General inspection of parts of the trolley for wear	Annually	After sales service centre

INHALT

- Allgemeine Warnhinweise
- I - Wichtige Betriebsvorschriften
- II - Garantie
- III - Allgemeine Vorschriften
- IV - Technische Angaben und Daten

- V - Wartungs- und Kontrollmaßnahmen
- VI - Funktionsstörungen
- VII - Sicherheitsprüfungen und -bestimmungen
- VIII - Wartungs- und Schmier­tabelle

ALLGEMEINE WARNHINWEISE

1. Vor der Installation und Benutzung dieses Gerätes müssen Sie zur Gewährleistung der Betriebssicherheit und einer optimalen Effizienz der Ausrüstung unbedingt die vorliegende Anleitung zur Kenntnis nehmen und die darin enthaltenen Vorschriften einhalten. Ein Exemplar dieser Anleitung muß allen Benutzern zur Verfügung gestellt werden. Auf Anfrage sind zusätzliche Exemplare erhältlich.
 2. Benutzen Sie das Gerät nicht, wenn eines der am Ende dieser Anleitung aufgeführten am Gerät befestigten Schilder oder deren Beschriftung fehlt oder nicht lesbar ist. Auf Anfrage sind identische Schilder erhältlich, die vor dem weiteren Betrieb des Gerätes angebracht werden müssen.
 3. Stellen Sie sicher, daß alle Personen, die Sie mit der Benutzung des Gerätes beauftragen, mit dessen Handhabung vertraut und in der Lage sind, die für den geplanten Einsatz geltenden Sicherheitsvorschriften einzuhalten. Die vorliegende Anleitung muß ihnen zur Verfügung gestellt werden.
 4. Die Handhabung des Gerätes muß in Übereinstimmung mit den für die Installation, Benutzung, Wartung und Prüfung von Materialhebezeugen geltenden Vorschriften und Sicherheitsnormen erfolgen.
 5. Bei gewerblicher Nutzung muß das Gerät einer Person anvertraut werden, die die geltenden Vorschriften kennt und über die notwendige Autorität verfügt, um deren Einhaltung sicherzustellen, wenn sie das Gerät nicht selbst benutzt.
 6. Jeder, der das Gerät zum ersten Mal benutzt, muß vor dem Anlegen der Last risikofrei bei einer geringen Hubhöhe sicherstellen, daß er die sichere und effiziente Handhabung völlig verstanden hat.
 7. Die Anbringung und Inbetriebnahme des Gerätes muß unter Bedingungen erfolgen, die die Sicherheit des Installateurs gemäß den für seine Kategorie geltenden Vorschriften garantieren.
 8. Vor jeder Benutzung des Gerätes müssen Sie sicherstellen, daß das Gerät sowie die damit verwendeten Zubehörteile sichtbar in einwandfreiem Zustand sind.
 9. Die GREIFZUG GmbH lehnt jede Haftung für die Benutzung des Gerätes in einer nicht in dieser Anleitung beschriebenen Montagekonfiguration ab.
 10. Das Gerät muß senkrecht an einem Befestigungspunkt und an einer Struktur aufgehängt werden, deren Tragfähigkeit den in dieser Anleitung gemachten Angaben entspricht. Beim Einsatz mehrerer Geräte hängt die notwendige Tragfähigkeit der Struktur von der Anzahl der Geräte und deren Tragfähigkeit ab.
 11. Die Lastkette ist fester Bestandteil des Gerätes und darf außerhalb der Kontrolle von GREIFZUG weder demontiert, noch repariert oder geändert werden. Jede Demontage oder Änderung der Lastkette außerhalb der Kontrolle von GREIFZUG befreit die GREIFZUG GmbH von ihrer Haftung für die Folgen dieser Maßnahme.
 12. Der einwandfreie Zustand der Kette ist eine Grundvoraussetzung für die Arbeits- und Funktionssicherheit des Gerätes. Die Prüfung des einwandfreien Kettenzustands muß bei jeder Inbetriebnahme gemäß dem Kapitel «Kette» erfolgen. Jedes Gerät, dessen Kette Anzeichen von Beschädigung aufweist, muß außer Betrieb genommen und zur Prüfung und Reparatur an die GREIFZUG GmbH geschickt werden.
 13. Jede Änderung des Gerätes außerhalb der Kontrolle von GREIFZUG und jedes Entfernen eines Bauteils befreien die GREIFZUG GmbH von ihrer Haftung.
 14. Dieses handbetriebene Gerät darf nie motorisch angetrieben werden.
 15. Der Benutzer muß während des Betriebs sicherstellen, daß die Kette ständig von der Last gespannt wird und insbesondere, daß die Last beim Senken nicht vorübergehend von einem Hindernis blockiert wird, wobei die Gefahr besteht, daß die Kette beim Lösen der Last vom Hindernis bricht.
 16. Es ist verboten, das Gerät zum Heben oder Transportieren von Personen zu verwenden.
 17. Jede nicht in dieser Anleitung beschriebene Demontage des Gerätes bzw. jede Reparatur außerhalb der Kontrolle von GREIFZUG befreit die GREIFZUG GmbH von ihrer Haftung, insbesondere beim Ersatz von Originalteilen durch Teile anderer Herkunft.
 18. Das Gerät darf nie für andere als die in dieser Anleitung beschriebenen Arbeiten verwendet werden. Es darf nie für Lasten benutzt werden, die die auf dem Gerät angegebene Tragfähigkeit übersteigen. Es darf nicht in explosionsgefährdeter Umgebung eingesetzt werden.
 19. Der Aufenthalt bzw. die Bewegung unter der Last sind verboten. Der Bereich unter der Last muß gekennzeichnet und abgesperrt werden.
 20. Wenn eine Last von mehreren Geräten gehoben werden muß, muß die Installation der Geräte nach einer zuvor von einem Sachkundigen durchgeführten technischen Studie durchgeführt werden, insbesondere um eine gleichmäßige Lastverteilung unter optimalen Bedingungen zu gewährleisten. Die GREIFZUG GmbH lehnt bei Benutzung des GREIFZUG-Gerätes in Verbindung mit Hebezeugen anderer Herkunft jede Haftung ab.
 21. Die ständige Prüfung des einwandfreien Gerätezustands und die ordnungsgemäße Wartung sind zur Gewährleistung der Betriebssicherheit unbedingt erforderlich. Das Gerät muß regelmäßig von einem von der GREIFZUG GmbH zugelassenen Sachkundigen gemäß dieser Anleitung geprüft werden.
 22. Wenn das Gerät nicht benutzt wird, muß es von unbefugten Personen ferngehalten werden.
 23. Bei einer endgültigen Außerbetriebnahme muß das Gerät so ausgemustert werden, daß seine Benutzung unmöglich ist. Die Umweltschutzvorschriften beachten.
- WICHTIG:** Bei gewerblicher Nutzung, insbesondere wenn Sie das Gerät einer angestellten oder gleichgestellten Person anvertrauen müssen, müssen Sie die geltenden Arbeitsschutzbestimmungen hinsichtlich Montage, Wartung und Benutzung der Ausrüstung einhalten. Dies gilt vor allem in Bezug auf die vorgeschriebenen Prüfungen: Prüfung bei der ersten Inbetriebnahme durch den Benutzer, regelmäßige Prüfungen und Prüfungen nach Demontage oder Reparatur.

I - WICHTIGE BETRIEBSVORSCHRIFTEN

Die corso-Laufkatzen dürfen in keinem Fall für das Heben von Personen verwendet werden. Entsprechend darf sich niemand auf oder in einer Struktur aufhalten, die an einer corso-Laufkatze hängt.

Wenden Sie sich für Informationen über das Heben von Personen und Sonderanwendungen bitte an uns.

Die corso-Laufkatzen dürfen nicht in explosionsfähiger Atmosphäre verwendet werden.

FOLGENDES IST VERBOTEN:

- Montage der corso-Laufkatzen auf geeigneten Trägern oder Trägern mit Zahnstange.
- Änderung der Eigenschaften des Geräts ohne vorherige schriftliche Zustimmung des Herstellers und insbesondere das Hinzufügen einer Motorisierung.
- Ablage des Geräts auf einer ungeeigneten Unterlage, wodurch die Bauteile der Laufkatze beschädigt werden können.
- Reparatur des Geräts mit Ersatzteilen, die nicht von TRACTEL® empfohlen und validiert wurden.
- Betrieb des Geräts durch eine nicht qualifizierte Person oder eine Person, die diese Anleitung nicht zur Kenntnis genommen hat.
- Heben einer Last, die die auf der Laufkatze angegebene Tragfähigkeit übersteigt (Es sei darauf hingewiesen, dass zufälliges Anstoßen bzw. Zusammenstöße der hängenden Last mit festen Strukturen des Arbeitsbereichs zur Überlastung führen können).
- Verwendung der Laufkatze zum Ausreißen, Lösen oder seitlichen Ziehen einer Last.
- Berühren von bzw. Eingriffe an beweglichen Teilen.
- Bewusstes Herbeiführen der Schwingbewegung der Last.
- Einsatz des Geräts unter Betriebs-

bedingungen oder in einer Umgebung, für die es nicht geeignet ist.

- Versetzen oder Entfernen der Anschläge an den Trägerenden.
- Einsatz eines in schlechtem Zustand befindlichen Geräts (Verschleiß oder Verformungen).
- Verwendung der Laufkatze als Erde beim Schweißen.
- Anschlagen von Lasten an die Handkette
- Ausbau der Sicherheitsvorrichtungen von der Laufkatze und Einsatz des Geräts ohne diese Vorrichtungen.
- Befestigung der Laufkatze am Träger mit anderen als den in dieser Anleitung beschriebenen Mitteln.
- Anschlagen von Lasten an der Laufkatze an anderen Stellen als der dafür vorgesehenen Aufhängeöse.
- Positionierung der Laufkatze auf einem Träger, dessen Tragfähigkeit zuvor nicht geprüft wurde.
- Aufenthalt oder Bewegung unter hängenden Lasten oder Bewegung der Lasten über Personen.
- Bewegen einer Rollkatze auf andere Weise als durch Ziehen oder Schieben der Last
- Bewegen einer Haspelkatze auf andere Weise als durch Betätigen der entsprechenden Handkette.

ES IST ÄUSSERST GEFÄHRLICH UND WIDERSPRICHT ALLEN REGELN DER KUNST, RICHTLINIEN UND VORSCHRIFTEN, EIN HEBEZEUG ABSICHTLICH ZU ÜBERLASTEN, UND DER HERSTELLER KANN IN DIESEM FALL NICHT FÜR DIE ENTSTANDENEN SCHÄDEN UND VERLETZUNGEN ZUR VERANTWORTUNG GEZOGEN WERDEN.

II - GARANTIE

Auf unsere corso-Laufkatzen gilt eine Garantie von 12 Monaten ab dem Liefertermin ab den TRACTEL®-Werken.

Falls der Versand ab diesen Werken aus einem vom Verkäufer unabhängigen Grund verzögert wird, kann die Verzögerung 3 Monate nicht überschreiten.

TRACTEL® verpflichtet sich, jeden von

unserer Firma nach Prüfung durch unsere technische Abteilung anerkannten Konstruktions-, Fertigungs- oder Materialfehler nach eigenem Ermessen kostenlos durch Reparatur oder Ersatz des als defekt anerkannten Produkts zu beheben. JEDE AUTOMATISCHE RÜCKSENDUNG IST AUSGESCHLOSSEN.

Die Garantie gilt nicht für Schäden durch unsachgemäße Benutzung, mangelnde Wartung oder Unfälle beim Einsatz. Sie gilt nicht für den normalen Verschleiß, Alterung und Oxidationserscheinungen.

Sie gilt ebenfalls nicht für Lacke und Oberflächenbehandlungen.

Die Garantie gilt nur für TRACTEL®-Originalteile einschließlich der Ketten mit Ausschluss aller anderen Bauteile.

Die Reparaturen im Rahmen der Garantie werden grundsätzlich in den Werkstätten des Herstellers oder seines zugelassenen Vertreters durchgeführt.

Die vorliegende Garantieverpflichtung gilt nur für die Kosten der ersetzten Teile und der notwendigen Arbeitskraft. Die eventuellen Reise- und Aufenthaltskosten der TRACTEL®-Mitarbeiter oder des zugelassenen Vertreters zum bzw. am Standort des Benutzers sowie die Kosten für Hin- und Rücktransport des betroffenen Produkts zum Werk des Herstellers oder seines zugelassenen Vertreters gehen zu Lasten des Garantieempfängers.

Die ersetzten Teile werden zum Eigentum des Herstellers und müssen ihm zurückgegeben werden.

Alle vom Käufer, vom Benutzer oder von einem nicht von TRACTEL® zugelassenen Dritten durchgeführten Reparatur- oder Änderungsarbeiten führen automatisch zum Verlust des Garantieanspruchs.

Die im Rahmen der Garantie durchgeführten Reparaturen oder Ersetzungen führen nicht zu einer Verlängerung der ursprünglichen

Garantiedauer. Die vorliegende Garantie schließt jede über die oben aufgeführten Leistungen hinausgehende Leistung aus.

Die Erfüllung der Garantie schließt jede Anerkennung der Haftung für Schäden und Nachteile aller Art aus. Unsere Garantie kann nur in Anspruch genommen werden, wenn mit dem beschädigten Gerät der vom Hersteller vorschriftsmäßig unterzeichnete und datierte Garantieschein vorgelegt wird. Gegebenenfalls oder in Ermangelung muss die dem Kauf im TRACTEL®-Netz entsprechende Rechnung vorgelegt werden.

III - ALLGEMEINE VORSCHRIFTEN

1) Abnahme des Materials

Unsere corso-Laufkatzen werden in einer Kartonverpackung mit Innenverkeilung geliefert.

Bei der Abnahme des Materials eine Sichtprüfung durchführen, um den einwandfreien Zustand der Verpackung sicherzustellen.

Bei Anomalien gegenüber dem Transportunternehmer die üblichen Vorbehalte vorbringen.

Nach dem Auspacken sicherstellen, dass die Laufkatze Ihrem Auftrag entspricht und dass die Lieferung folgende Elemente enthält:

a) Bei den Laufkatzen (außer 10 und 20 t)

- Zwei Seitenschilder mit je zwei Laufrollen
- Ein Montagequerträger zur Abstandseinstellung mit umgekehrtem Doppelgewinde.
- Eine Kurbel zur Einstellung des Laufkatzen-Seitenschildabstands.
- Zwei Querträger-Feststellschrauben
- Die vorliegende Gebrauchs- und Wartungsanleitung.
- Die EG-Konformitätserklärung.

Bei den Laufkatzen 10 und 20 t

- Zwei Seitenschilder mit je zwei Laufrollen
- Ein Montagequerträger zur Abstandseinstellung mit Unterlegscheiben und Muttern.

2) Inbetriebnahme

Die Lebensdauer der Laufkatze hängt von der Inbetriebnahme ab. Lesen Sie diese Anleitung für die Installation, den Betrieb und das Sauberhalten Ihres Geräts unbedingt aufmerksam durch. Jede Benutzung unter Missachtung unserer Vorschriften kann zu Risiken führen und enthebt uns von der Herstellerhaftung.

Das Gerät nicht benutzen, ohne vorher diese Anleitung vollständig gelesen und verstanden zu haben.

Die Anleitung stets in der Nähe des Geräts in Reichweite des Bedieners und der mit der Wartung beauftragten Person aufbewahren.

Die Sicherheitsvorschriften einhalten und für deren Einhaltung sorgen.

2.1 Zusammenbau und Anschlagen des Geräts

a) Laufkatzen 250 bis 5000 kg

WICHTIG:

Vor jeder Montage der corso-Laufkatzen auf einem Laufkatzen-Träger muss der Träger einer Werkstofffestigkeitsberechnung durch eine qualifizierte Person unterzogen werden.

Wenn die Befestigung in einem für den Bediener gefährlichen Bereich erfolgen muss, müssen alle von den arbeitsrechtlichen Vorschriften vorgesehenen Sicherheitsmaßnahmen ergriffen werden, um während der Maßnahme alle nicht kontrollierten Risiken zu vermeiden.

Die corso-Laufkatzen (bis 2 t) werden standardmäßig als Bausatz geliefert. Vor ihrer Montage auf dem Laufkatzen-Träger muss folgender Zusammenbau der Baugruppen durchgeführt werden:

- Die beiden Laufkatzen-Seitenschilder an beide Seiten des Querträgers halten und dabei sicherstellen, dass die Gewindesteigungen Querträger/ Seitenschild übereinstimmen.
- Eine kontinuierliche Drehung des Querträgers durchführen, um ihn auf beiden Seiten in das entsprechende

Gewinde der Seitenschilder einzuführen.

- Wenn der Gewinde-Querträger weit genug in den Seitenschildern steckt, die Einstellkurbel am Ende des Querträgers anbringen (Seite mit der Doppelbohrung)
- Die Kurbel drehen, bis die Einstellung des Abstands der Laufrollen der Breite des Laufkatzen-Trägers entspricht.

ACHTUNG:

Das Spiel zwischen der Laufrollenseitenscheibe und dem Ende des unteren Flanschs des Laufkatzen-Trägers darf für Tragfähigkeiten bis 2 t 4 mm und darüber hinaus 5 mm nicht überschreiten.

- Nach der korrekten Einstellung muss der unrunde Teil der Aufhängeöse nach unten gerichtet sein, um später den Aufhängehaken des Flaschenzugs aufzunehmen.
- In jede Öffnung den Kupfer-Gewindeschutz stecken und die beiden Querträger-Befestigungsschrauben anziehen.
- Die Einstellkurbel entfernen.

Verfahren zur Montage der Laufkatze auf dem Laufkatzen-Träger

Nach dem oben beschriebenen Zusammenbau der corso-Laufkatze kann sie an einem Ende des Laufkatzen-Trägers eingeführt werden.

Dabei nicht vergessen, nach dem Einführen der Laufkatze den Endanschlag wieder am Laufkatzen-Träger zu befestigen bzw. anzubringen.

Wenn die Konfiguration des Laufkatzen-Trägers nicht das Einführen der Laufkatze am Trägerende zulässt, muss folgendes Verfahren durchgeführt werden:

- Die vormontierte Laufkatzenbaugruppe unter dem Laufkatzen-Träger in Position bringen und dabei einen ausreichenden Abstand zwischen den Laufrollen einhalten, um die Laufkatze auf dem Träger platzieren zu können.
- Zwei Laufrollen desselben Seitenschildes mit dem unteren Flansch des Trägers in Kontakt bringen.

- Die beiden Laufrollen des gegenüberliegenden Seitenschilds mit dem Laufkatzen-Träger in Kontakt bringen und die Einstellkurbel drehen, um die beiden Seitenschilder anzunähern und das Aufliegen der vier Laufrollen auf dem unteren Flansch des Trägers zu erreichen.
- Den Abstand der Laufrollen wie oben angegeben einstellen.
- Die Sicherungsschrauben auf dem Querträger festziehen, um die Baugruppe zu blockieren.
- Die Einstellkurbel entfernen.

Im Fall einer corso-Haspelkatze:

- Sicherstellen, dass die Handkette richtig auf dem Handrad platziert ist (Schweißnaht der Kettenglieder in Bezug auf die Handradachse außen).
- Sicherstellen, dass die Handkette nicht verdreht ist.

Nach der Positionierung der corso-Laufkatze auf dem Laufkatzen-Träger muss unbedingt OHNE LAST die korrekte und ruckfreie Bewegung der Laufkatze auf der gesamten Laufkatzen-Trägerlänge geprüft werden.

b) Laufkatzen 10 und 20 t

WICHTIG:

Vor jeder Montage der corso-Laufkatzen auf einem Laufkatzen-Träger muss der Träger einer Werkstofffestigkeitsberechnung durch eine qualifizierte Person unterzogen werden.

Wenn die Befestigung in einem für den Bediener gefährlichen Bereich erfolgen muss, müssen alle von den arbeitsrechtlichen Vorschriften vorgesehenen Sicherheitsmaßnahmen ergriffen werden, um während der Maßnahme alle nicht kontrollierten Risiken zu vermeiden. Umfangreiche Möglichkeiten der Montage an einem Träger mit **I-** oder **H-**Profil.

- Tragfähigkeit: 10 t Träger mit einer Breite von min. 125 mm und max. 320 mm.

- Tragfähigkeit: 20 t Träger mit einer Breite von min. 136 mm und max. 320 mm.

ACHTUNG:

Das Spiel zwischen der Laufrollenseitenscheibe und dem Ende des unteren Flanschs des Laufkatzen-Trägers darf 5 mm nicht überschreiten.

corso-Rollkatze

1. Zunächst die Sicherungsstifte entfernen und dann die Befestigungsmuttern an beiden Seiten der Befestigungsstange entfernen.
2. Die beiden Seitenschilder trennen und alle Beilagscheiben aufheben.
3. Die beiden Seitenschilder auf beiden Seiten des Trägers positionieren und die Befestigungsstange in der dafür vorgesehenen Bohrung anbringen.
4. Die Beilagscheiben anbringen, indem sie auf die Befestigungsstange geschoben werden, dabei mit den dicksten beginnen und die Seitenschilder entfernen und abwechselnd wieder anbringen, bis die optimale Einstellung auf dem Träger erreicht ist, so dass die tragende Fläche in der Mitte des Kontaktbereichs liegt. Der Monteur muss unbedingt darauf achten, dass die Ränder der Laufrollen den Steg des Trägers nicht berühren.
5. Außen und gleichmäßig die einzelnen verbleibenden Beilagscheiben anbringen und die Muttern anbringen.
6. Die Befestigungsmuttern anziehen und die Sicherungsstifte in ihren Aufnahmen anbringen.
7. Von Hand die Laufkatze ohne Last bewegen. Während der Fahrbewegung der Laufkatze dürfen keine schwergängigen Stellen auftreten.

Haspelkatze

1. Die Sicherungsstifte entfernen und dann die Befestigungsmuttern an beiden Seiten der Befestigungsstange entfernen.
2. Die beiden Seitenschilder trennen und alle Beilagscheiben aufheben.
3. Die beiden Seitenschilder positionieren und dabei die Seite für die Handkette wählen. Die Befestigungsstange in ihrer Aufnahme anbringen.

4. Identische Beilagscheiben auf beiden Seiten der Halteklau auf der Innenseite der Seitenschilder anbringen, indem sie auf den Bolzen geschoben werden, dabei mit den dicksten beginnen. Dazu die Seitenschilder entfernen und abwechselnd wieder anbringen, bis die optimale Einstellung des Abstands der Laufrollen auf dem Träger erreicht ist, so dass die tragende Fläche in der Mitte des Kontaktbereichs liegt. Der Monteur muss unbedingt darauf achten, dass die Ränder der Laufrollen den Steg des Trägers nicht berühren.
5. Die verbleibenden Beilagscheiben auf dem Befestigungsbolzen auf der der Kettensteuerung gegenüberliegenden Seite anbringen und die Muttern anbringen.
6. Die Befestigungsmuttern anziehen und die Sicherungsstifte in ihren Aufnahmen anbringen.

Nach der Positionierung der corso-Laufkatze auf dem Laufkatzen-Träger muss unbedingt OHNE LAST die korrekte und ruckfreie Bewegung der Laufkatze auf der gesamten Laufkatzen-Trägerlänge geprüft werden.

2.2 Anschlagen der Last

Der Flaschenzug, der Seilzug oder jede andere Last, die für die Benutzung mit der corso-Laufkatze geeignet ist, müssen unbedingt an der entsprechenden Aufhängeöse an der Laufkatze angeschlagen werden.

Das Anschlagen einer Last darf in keinem Fall an einem anderen Bauteil der Laufkatze erfolgen.

2.3 Vorherige Prüfungen vor der Inbetriebnahme

- Sicherstellen, dass alle Bauteile der Laufkatze richtig montiert und festgezogen sind.
- Sicherstellen, dass sich die Laufkatze auf der gesamten Länge des Laufkatzen-Trägers ohne Kraftaufwand oder Blockierung bewegt.
- Sicherstellen, dass die Tragfähigkeit der

Laufkatze größer oder gleich der größten vorgesehenen Betriebslast ist.

- Sicherstellen, dass das Profil des verwendeten Laufkatzen-Trägers ausreicht, um in aller Sicherheit eine der maximalen Betriebslast entsprechende Belastung aufzunehmen.
- Sicherstellen, dass die Handkette richtig montiert und nicht verdreht ist.

2.4 Prüfung der Bewegungen

Die Fahrbewegung der corso-Laufkatzen auf dem Laufkatzen-Träger wird durch vier Laufrollen sichergestellt, die auf Kugellagern montiert sind.

Bei den corso-Rollkatzen erfolgt die Bewegung durch maßvolles Schieben der Last, die unbedingt vom Boden abgehoben sein muss.

Die Bewegung muss ruckfrei erfolgen.

Bei corso-Haspelkatzen erfolgt die Bewegung durch Betätigen einer entsprechenden Kette. Die Bewegung muss mit vom Boden abgehobener Last und ruckfrei erfolgen.

Das Ziehen einer auf dem Boden liegenden Last mit Hilfe der Laufkatze ist streng verboten.

Die Durchführung der unterschiedlichen Bewegungen der Laufkatze muss von folgenden Sicherheitsmaßnahmen begleitet werden:

- Sicherstellen, dass die Last vom Boden abgehoben ist.
- Jedes Schwingen der Last vermeiden.
- Sicherstellen, dass bei der Bewegung einer Haspelkatze die Handkette nicht an einem festen Hindernis hängen bleiben kann.
- Sicherstellen, dass die corso-Laufkatzen nicht systematisch gegen die Anschläge am Ende des Laufkatzen-Trägers stoßen.
- Sicherstellen, dass der Kurvenradius des Laufkatzen-Trägers mit den technischen Daten der verwendeten Laufkatze übereinstimmt.

IV - TECHNISCHE ANGABEN UND DATEN

1) Funktionsprinzip

Die corso-Roll- oder -Haspelkatze ist ein Lastaufnahmemittel. Sie dient dem Anschlagen eines Flaschenzugs oder Seilzugs, der auf einem Laufkatzen-Träger mit **I**- oder **H**-Profil bewegt werden soll. Die Fahrbewegung wird durch vier Laufrollen sichergestellt, die auf Kugellagern montiert sind.

2) Wesentliche Baugruppen

Siehe Seite 2 und 33.

3) Typenschild

Die corso-Laufkatzen dürfen nur mit einer maximalen Last betrieben werden, die der auf dem Typenschild angegebenen Tragfähigkeit entspricht. Die Lebensdauer der corso-Laufkatze hängt von der regelmäßigen Wartung gemäß den Angaben und Vorschriften dieser Anleitung ab.

4) Sicherheitsvorrichtungen

Die corso-Laufkatzen sind mit folgenden Elementen ausgestattet:

- Zwei Druckschrauben, die für die Steifigkeit zwischen den Seitenschildern und dem Aufhänge- und Einstell-Querträger (≤ 5 t) sorgen.
- Vier Anschläge aus Stahlfalzblech, die als Entgleisungsschutz dienen.
- Antikippvorrichtungen, die innen an den Seitenschildern festgeschweißt sind
- Vier mit Kugellagern ausgestattete Laufrollen.

V - WARTUNGS- UND KONTROLLMAßNAHMEN

Die Wartung der corso-Laufkatze besteht in der Überwachung des guten Zustands, Reinigung und regelmäßigen Kontrolle (wenigstens einmal jährlich) durch einen zugelassenen TRACTEL®-Reparateur.

Jede Beschädigung der Laufkatze, insbesondere im Bereich der Laufrollen und Seitenschilder, muss vor jeder weiteren Benutzung durch eine Instandsetzung durch einen zugelassenen Reparateur

beseitigt werden.

Darüber hinaus ist die regelmäßige Kontrolle des Zustands des Laufkatzen-Trägers und gegebenenfalls dessen Reinigung notwendig, um alle Fett- oder Schmutzansammlungen zu vermeiden und eine einwandfreie Bewegung der Laufkatze zu garantieren.

VI - FUNKTIONSTÖRUNGEN

Wenn während der Fahrbewegung schwergängige Stellen oder eine örtliche Blockierung auf dem Laufkatzen-Träger auftreten:

- Sicherstellen, dass sich keine Hindernisse auf dem Laufkatzen-Träger befinden.
- Sicherstellen, dass die Laufrollen richtig und ruckfrei laufen.
- Sicherstellen, dass die Laufrollenbolzen nicht beschädigt sind.
- Sicherstellen, dass die Einstellung des Laufrollenabstands der Breite des Laufkatzen-Trägers entspricht.
- Sicherstellen, dass der Kurvenradius des Laufkatzen-Trägers nicht kleiner als die technischen Möglichkeiten der Laufkatze ist.
- Sicherstellen, dass der Laufkatzen-Träger nicht stellenweise verformt oder verwunden ist.
- Den Oberflächenzustand des unteren Flanschs des Laufkatzen-Trägers prüfen.

VII - SICHERHEITSPRÜFUNGEN UND -BESTIMMUNGEN

Jedes Unternehmen, das eine corso-Laufkatze einem Mitarbeiter anvertraut, muss alle für den Betrieb von Material-Hebezeug von den arbeitsrechtlichen Vorschriften vorgesehenen Sicherheitsmaßnahmen ergreifen.

In Frankreich müssen diese Geräte bei der Inbetriebnahme und anschließend in regelmäßigen Abständen geprüft werden (Erlass vom 9. Juni 1993).

Vor jeder Inbetriebnahme muss sichergestellt werden, dass alle Sicherheitsvorrichtungen angebracht sind und normal funktionieren.

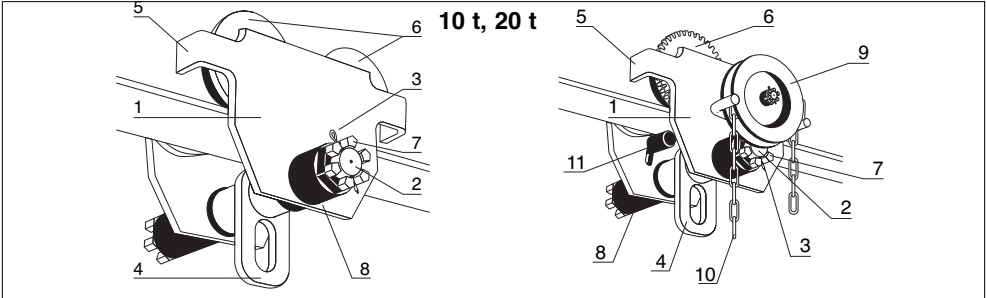
VIII- WARTUNGS- UND SCHMIERTABELLE

Prüfungen	Prüfintervall	Durchführende
Prüfung des Gesamtzustands der Laufkatze	Täglich	Bediener
Sichtprüfung der Seitenschilder und Laufrollen (Risse, Verformungen)	Vierteljährlich	Bediener
Sichtprüfung auf Verschleiß der Laufrollen und des Zustands der Handkette	Halbjährlich	Bediener
Sichtprüfung des Zustands des Laufkatzen-Trägers	Halbjährlich	Bediener
Allgemeine Prüfung auf Verschleiß der Bauteile der Laufkatze	Jährlich	Kundendienstabteilung

DE

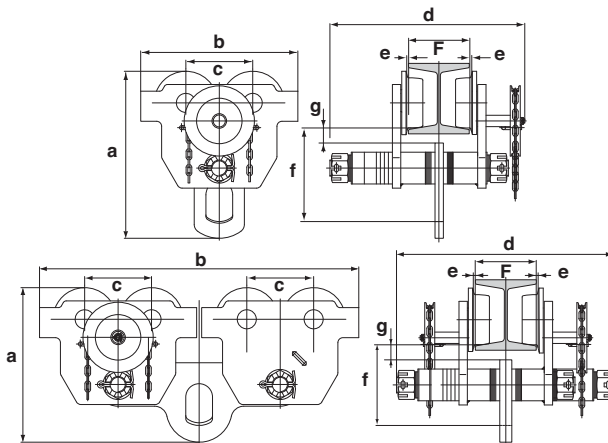
Spécifications :
Technische gegevens:

Specifications:
Technische Daten:



1. Flasques/ Trolley side plates/ Flenzen/ Seitenschilder
2. Tige de fixation/ Fixing bar/ Bevestigingsstang/ Befestigungsstange
3. Goupille de sécurité/ Safety pin/ Veiligheidspin/ Sicherungsstift
4. Anneau d'amarrage/ Anchor point/ Ankerring/ Anschlagring
5. Patte de sécurité et butée de translation/ Safety bar and traversing end stop/ Veiligheidsklamp en translatie-aanslag/ Sicherheitslasche und Roll-Anschlag
6. Galets de roulement/ Running wheels/ Looprollen/ Laufrollen

7. Écrou de fixation/ Fixing nut/ Bevestigingsmoer/ Befestigungsmutter
8. Rondelles d'épaisseur/ Spacer washers/ Opvulringen/ Beilagscheiben
9. Volant de manoeuvre/ Operating wheel/ Bedieningswiel/ Handrad
10. Chaîne de manoeuvre/ Hand chain/ Bedieningsketting/ Handkette
11. Doigt anti-déraillement/ Anti-tilt bar/ Stift anti-derailleur/ Entgleisungsschutz



	W.L.L./ C.M.U./ Traagvermogen/ en/ Tragfähigkeit	Dimensions/ Dimensions/ Afmetingen/ Abmessungen							Rayon de courbure mini./ Mini. Curve radius/ Min. radius/ Kleinster Kurvenradius	Effort mini théorique à la chaîne de manoeuvre/Mini theoretical strength of hand chain/ Min. theoretische sterkte van handketting/ Min. theoretische Kraft an der Handkette	Poids/ Weight/ Gewicht	
		t	mm									mm
		a	b	c	d	e	f	g	F			
Chariot par poussée/ Push trolley/ Duwloopkatten/ Rollkatzen	10	500	470	200	550	2,5	280	45	125- 320	2500	-	105
Chariot par chaîne/ Geared trolley/ Handmechanische loopkatten/ Haspelkatze	10	500	470	200	583	2,5	280	45	125- 320	2500	34	115
	20	500	955	200	654	2,5	270	45	136- 320	5000	68	254



FR DECLARATION DE CONFORMITE
GB DECLARATION OF CONFORMITY
ES DECLARACIÓN DE CONFORMIDAD
IT DICHIARAZIONE DI CONFORMITÀ
DE KONFORMITÄTSEKTLÄRUNG
NL CONFORMITEITSVERKLARING
PT DECLARAÇÃO DE CONFORMIDADE
DK OVERENSSTEMMELSESEKTLÆRING
FI VASTAAVUUSVAKUUTUS
NO SAMSVARSEKTLÆRING

SE FÖRSÄKRAN OM ÖVERENSSTÄMMELSE
GR ΔΗΛΩΣΗ ΣΥΜΜΟΡΦΩΣΗΣ
PL DEKLARACJA ZGODNOŚCI
RU СЕРТИФИКАТ СООТВЕТСТВИЯ
HU MEGFELELŐSÉGI NYILATKOZAT
CZ PROHLÁ-ENÍ O SHODU
BG ДЕКЛАРАЦИЯ ЗА СЪОТВЕТСТВИЕ
RO DECLARATIE DE CONFORMITATE
SK VYHLÁSENIE O ZHODE
SI IZJAVA O USTREZNOSTI



TRACTEL

RD 619, Saint-Hilaire-sous-Romilly,
F-10102 ROMILLY-SUR-SEINE
T : 33 3 25 21 07 00 - Fax : 33 3 25 21 07 11



représentée par / represented by / representado por / rappresentato da / vertreten durch / vertegenwoordigd door / representada por / repræsenteret af / edustajana / representert ved / företråds av / εκπροσωπούμενη από / reprezentowany przez / в лице / képviselő / zastoupená / представител / reprezentat de către / zastúpená / ki ga predstavlja

M. Denis PRADON

Président Directeur Général / Chairman & Managing Director / Presidente Director General / Presidente Direttore Generale / Generaldirektor-Präsident des Verwaltungsrates / President-Directeur / Presidente / Administrerende direktør / Toimitusjohtaja / President og Generaldirektør / Vd och styrelseordförande / Πρόεδρος Γενικός Διευθυντής / Prezes / Президент и Генеральный Директор / Elnök-vezérigazgató / Generální ředitel / Генерален директор / Presedinte Director General / Generálny riaditeľ / Predsednik generalni direktor

129685 - ind 01 - 09/2009

30/09/2009

 **Tractel** Group 

F R	CERTIFIE QUE : L'équipement désigné ci-contre est conforme aux règles techniques de sécurité qui lui sont applicables à la date de mise sur le marché de l'UNION EUROPÉENNE par le fabricant. DISPOSITIONS APPLIQUÉES : Voir ci-dessous	S E	INTYGAR ATT : utrustningen som avses på motstående sida överensstämmer med de tekniska säkerhetsregler som är tillämpliga när produkten släpps på Europeiska unionens marknad. GÄLLANDE BESTÄMMELSER : Se ovan
G B	CERTIFIES THAT : The equipment designated opposite is compliant with the technical safety rules applicable on the initial date of marketing in the EUROPEAN UNION by the manufacturer. MEASURES APPLIED : See below	G R	ΒΕΒΑΙΩΝΕΙ ΤΙ : ε π λ ι σ ζ π υ α ν α φ ρ ε τ α ι ὀ π λ α ε ν α ι σ φ ω ν ς π ρ ς τ υ ς τ ε ν ι κ ς κ α ν ν ε ς α σ φ α λ ε ς π υ ι σ τ ο υ κ α τ ἄ ρ η η ε ρ η ν α ἰ ὁ θ ε ς ς τ υ σ τ η ν α γ ρ η ς ΕΥΡΩΠΑΪΚΗΣ ΕΝΩΣΗΣ απ τ υ κ α τ α σ κ ε υ α σ τ . Ι Σ Υ Ψ Ε Σ Ι Α Τ Α Ε Ι Σ : Β λ π ε π α ρ α κ τ ω
E S	CERTIFICA QUE : El equipo designado al lado es conforme con las reglas técnicas de seguridad que le son aplicables en la fecha de comercialización de la UNIÓN EUROPEA por el fabricante. DISPOSICIONES APLICADAS : Ver abajo	P L	ZASWIADCZA, ŻE : Sprzęt określony na odwrocie odpowiada technicznym reguł om bezpieczeństwa stosującym się do niego w dniu wprowadzenia przez producenta na rynek UNII EUROPEJSKIEJ. STOSOWANE PRZEPISY : Patrz niżej
I T	CERTIFICA CHE : L'equipaggiamento designato a fianco è conforme alle regole tecniche di sicurezza ad esso applicabili alla data di messa, dal costruttore, sul mercato dell'UNIONE EUROPEA. DISPOSIZIONI APPLICABILI : Vedi soprastante	R U	УДОСТОВЕРЯЕТ СЛЕДУЮЩЕЕ : Названное оборудование соответствует применимым к нему техническим правилам безопасности, действующим на момент его выпуска производителем на рынок ЕВРОПЕЙСКОГО СОЮЗА. ПРИМЕНИМЫЕ ПОЛОЖЕНИЯ : См. ниже
D E	ERKLÄRT, DASS : Die gegenüber bezeichnete Ausrüstung den technischen Sicherheitsbestimmungen entspricht, die zum Zeitpunkt des Inverkehrbringens in der EUROPÄISCHEN UNION durch den Hersteller für die Ausrüstung gelten. ANGEWENDETE VORSCHRIFTEN : Siehe unten	H U	TANÚSÍJTJA, HOGY : a szemközt megnevezett felszerelés megfelel a gyártó által az EURÓPAI UNIÓŒN belüli forgalmazás megkezdésének idő pontjában érvényben lévő vonatkozó műszaki biztonsági szabályoknak. ALKALMAZOTT RENDELKEZÉSEK : Lásd alább
N L	VERKLAART DAT : De in hieronder beschreven uitrusting conform de technische veiligheidsvoorschriften is die van toepassing zijn op de datum van de marktintroductie in de EUROPESE UNIE door de fabrikant. TOEGEPASTE SCHIKKINGEN : Zie hieronder	C Z	POTVRZUJE, ŽE : Niž uvedené zařizení je v souladu s technickými pravidly bezpečnosti platnými ke dni jeho uvedení výrobcem na trh EVROPSKÉ UNIE. PLATNÁ USTANOVENÍ : VViz níže
P T	CERTIFICA QUE : O equipamento designado ao lado satisfaz as regras técnicas de segurança aplicáveis na data da introdução no mercado da UNIÃO EUROPEIA pelo fabricante. DISPOSIÇÕES APLICADAS : Ver abaixo	B G	УДОСОТВЕРЯВА, ЧЕ : Описаното настреща съоръжение съответства на приложимите за него технически правила за безопасност към датата на пускането му на пазара на ЕВРОПЕЙСКИЯ СЪЮЗ от производителя. ПРИЛОЖИМИ РАЗПОРЕДБИ : Виж по-долу
D K	ERKLÆRER AT : Udstyret betegnet på modstående side er i overensstemmelse med de gældende tekniske sikkerhedsforskrifter på den dato, hvor fabrikanten har markedsført det i den EUROPÆISKE UNION. GÆLDENDE BESTEMMELSER : Se nedenfor	R O	CERTIFICĂ FAPTUL CĂ : Echipamentul menționat alături este conform normelor tehnice de securitate aplicabile la data lansării pe piața UNIUNII EUROPENE de către producător. DISPOZIȚII APLICATE : A se vedea mai jos
F I	VAKUUTTAA, ETTÄ : laite, johon tässä asiakirjassa viitataan täyttää tekniset turvamääräykset sinä päivänä, jona valmistaja tuo tuotteen myyntiin Euroopan unionin markkinoille. SOVELLETTAVAT MÄÄRÄYKSET : Katso alta	S K	POTVRDZUJE, ŽE : Niž je uvedené zariadenie je v súlade s technickými pravidlami bezpečnosti platnými ku dň u jeho uvedenia výrobcem na trh EURÓPSKEJ ÚNIE. PLATNÉ USTANOVENIA : Pozrite nižš ie
N O	SERTIFISERER AT : Det udstyret som omtales på motsatt side er i overensstemmelse med de tekniske sikkerhetsregler som gjelder på det tidspunktet som fabrikanten setter utstyret i drift på markedet i DEN EUROPEISKE UNION. GJELDENDE NORMER : Se under	S I	POTRJUJE, DA : je opisana oprema skladna s tehničnimi pravili na področju varnosti, ki veljajo zanjo z dnem, ko jo proizvajalec poš lje na tržš če EVROPSKE UNIJE. VELJAVNA DOLOČILA : glej spodaj



→ 2009 : 98/37/CE



2006/95/CE



2004/108/CE



2000/14/CE

2010 → : 2006/42/CE

DÉSIGNATION / DESIGNATION / DESIGNACIÓN / DESIGNAZIONE /
BEZEICHNUNG / BESCHRIJVING / DESIGNAÇÃO / BETEGNELSE /
NIMITYS / BENEVNELSE / BETECKNING / ΟΝΟΜΑΣΙΑ / NAZWA /
НАИМЕНОВАНИЕ / MEGNEVEZÉS / NÁZEV / НАИМЕНОВАНИЕ / DENUMIRE /
NÁZOV / OPIS

Chariot porte palan / Hoist-carrying truck / Carro porta aparejos / Carrello
portaparanco / Kettenzug-Laufkatze / Takeldrager / Carro porta-diferencial /
Løbekat / Vintturikärry / Løpekatt for talje / Kranvagn / **Ολισθητήρας στήριξης
παλάγκου** / Wózek wciągająca / Подвесная тележка / Emelőcsiga-kocsi / Vozík
kladkostroja / Телферна количка / Carucior port palan / Vozík kladkostroja /
Voziček z vitlom

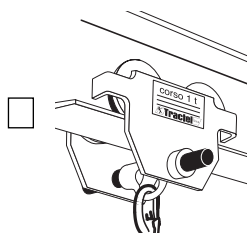
APPLICATION / APPLICATION / APLICACIÓN / APPLICAZIONE / ANWENDUNG /
TOEPASSING / APLICAÇÃO / ANVENDELSE / KÄYTTÖ / BRUKSOMRÅDE /
ANVÄNDNING / ΕΦΑΡΜΟΓΗ / ZASTOSOWANIE / ПРИМЕНЕНИЕ / ALKALMAZÁSI
TERÜLET / ΑΡΛΙΚΑΣΕ / ПРИЛОЖЕНИЕ / DOMENIU DE APLICARE / ΑΡΛΙΚΑΙΑ /
УПОРАВА

Accessoires de levage / Hoisting accessories / Accesorios de elevación /
Accessori di sollevamento / Lastaufnahmemittel / Hijsaccessoires / Acessórios
de elevação / Tilbehør til ophejsning / Nostolisälaitteet / Løftetilbehør /
Lyfttillbehör / **Εξαρτήματα ανύψωσης** / Akcesoria do podnoszenia / Аксессуары,
используемые для подъема / Emelést segítő tartozékok / Zdvíhacie zariadenie /
Принадлежности за повдигане / Accesorii de ridicat / Zdvíhacie zariadenie / Dodatki
za dviganje

MARQUE / MAKE / MARCA / MARCA / MARKE / MERK / MARCA / MÆRKE / MERKKI /
MERKE / MÄRKE / ΕΜΠΟΡΙΚΟ ΣΗΜΑ/MARKA / ФИРМА / MÁRKA / ZNAČKA / MARKA /
MARCA / ZNAČKA / ZNAMKA

CORSO

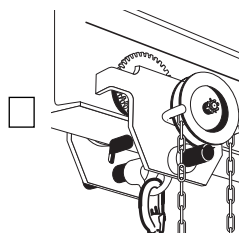
TYPE / TYPE / TIPO / TIPO / ТИП / TYPE / TIPO / TYPE / ΤΥΠΟΙ / TYPE /
ТИП / ΤΥΠΟΣ / ТИП / ТИП / ТИПУС / ТИП / ТИП / ТИП / ТИП



0,25 t

1,5 t

5 t



0,5 t

2 t

10 t

1 t

3 t

20 t

N° DE SÉRIE / SERIAL NO / N° DE SÉRIE / Nr. DI SERIE /
SERIEN-NR / SERIENUMMER / N° DE SÉRIE /
SERIENUMMER / SARJANUMERO / SERIENUMMER /
SERIENR / ΣΕΙΡΙΑΚΟΣ ΑΡΙΘΜΟΣ / Nr SERII / N° СЕРИИ /
SZÉRIASZÁM / VÝROBNÍ ČÍSLO / СЕРИЕН N°/ NR. DE
SERIE / VÝROBNÉ ČÍSLO / SERIJSKA - T.

FR TRACTEL S.A.S.

RD 619 Saint-Hilaire-sous-Romilly, B.P. 38
F-10102 ROMILLY-SUR-SEINE
T : 33 3 25 21 07 00 – Fax : 33 3 25 21 07 11

LU SECALT S.A.

3, Rue du Fort Dumoulin – B.P. 1113
L-1011 LUXEMBOURG
T : 352 43 42 42 1 – Fax : 352 43 42 42 200

DE GREIFZUG Gmbh

Scheidtbachstrasse 19-21
D-51434 BERGISCH-GLADBACH
T : 49 2202 10 04 0 – Fax : 49 2202 10 04 70

GB TRACTEL UK LTD

Old Lane, Halfway
SHEFFIELD S20 3GA
T : 44 114 248 22 66 – Fax : 44 114 247 33 50

ES TRACTEL IBÉRICA S.A.

Carretera del medio 265
E-08907 L'HOSPITALET (Barcelona)
T : 34 93 335 11 00 – Fax : 34 93 336 39 16

IT TRACTEL ITALIANA S.p.A.

Viale Europa 50
I-20093 Cologno Monzese (MI)
T : 39 02 254 47 86 – Fax : 39 02 254 71 39

NL DK TRACTEL BENELUX B.V.

BE LU Paardeweide 38
NL-4824 EH BREDA
T : 31 76 54 35 135 – Fax : 31 76 54 35 136

PT LUSOTRACTEL LDA

Alto Do Outeiro Armazém 1 Trajouce
P-2785-086 S. DOMINGOS DE RANA
T : 351 214 459 800 – Fax : 351 214 459.809

PL TRACTEL POLSKA Sp. Zo.o

Al. Jerozolimskie 56c
PL-00-803 Warszawa
T : +48/60 902 06 07 - Fax : +48/22 300 15 59

CA TRACTEL LTD

1615 Warden Avenue Scarborough
Ontario M1R 2TR
T : 1 416 298 88 22 – Fax : 1 416 298 10 53

CN TRACTEL CHINA LTD

A09, 399 Cai Lun Lu, Zhangjiang HI-TECH Park
Shanghai 201203 – CHINA
T: +86 (0) 21 6322 5570 - Fax: +86 (0) 21 5353 0982

SG TRACTEL SINGAPORE Pte

50 Woodlands Industrial Parc E7
Singapore 75 78 24
T : 65 675 73113 – Fax : 65 675 73003

AE TRACTEL MIDDLE EAST

P.O. Box 25768
DUBAI
T : 971 4 34 30 703 – Fax : 971 4 34 30 712

US TRACTEL Inc

51 Morgan Drive.
Norwood, MA 02062
T : 1 781 401 3288 – Fax : 1 781 828 3642

RU TRACTEL RUSSIA O.O.O.

ul. Petrovka, 27
Moscow 107031
Russia
T : +7 915 00 222 45 – Fax : +7 495 589 3932